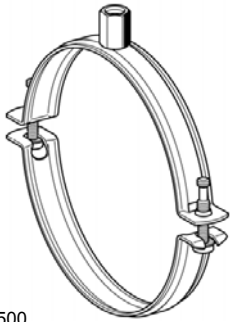


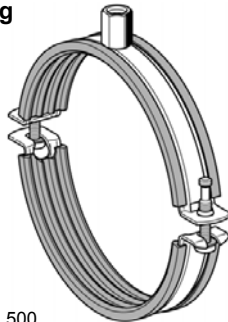
### Products

Ducting Clamp PLU 2G



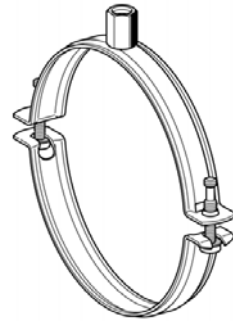
≤ DN 500

Ducting Clamp PLU 2G with lining

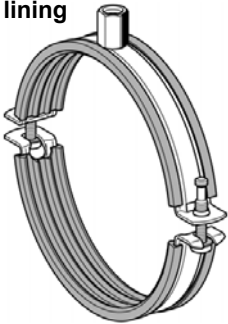


≤ DN 500

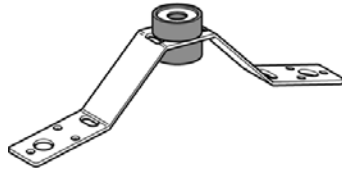
Ducting Clamp PLU TOP 2G



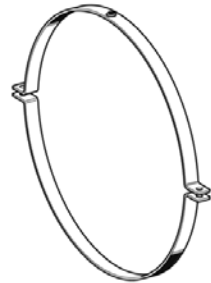
Ducting Clamp PLU TOP 2G with lining



Ducting Strap LUB



Ducting Clamp PLU



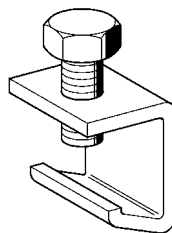
DN 560 - 1250

Ducting Clamp PLU with lining

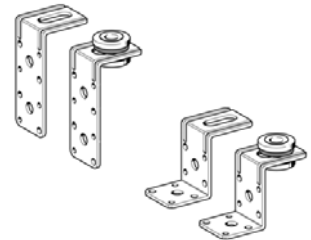


DN 560 - 1250

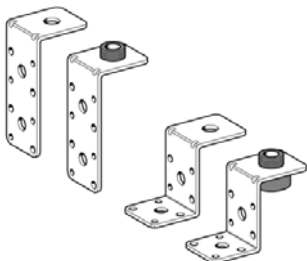
Ducting Bracket LCO



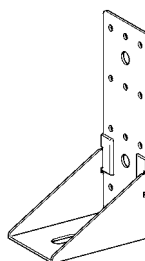
Ducting Angle LUW



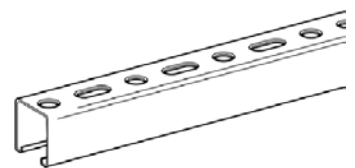
Ducting Angle LUW A



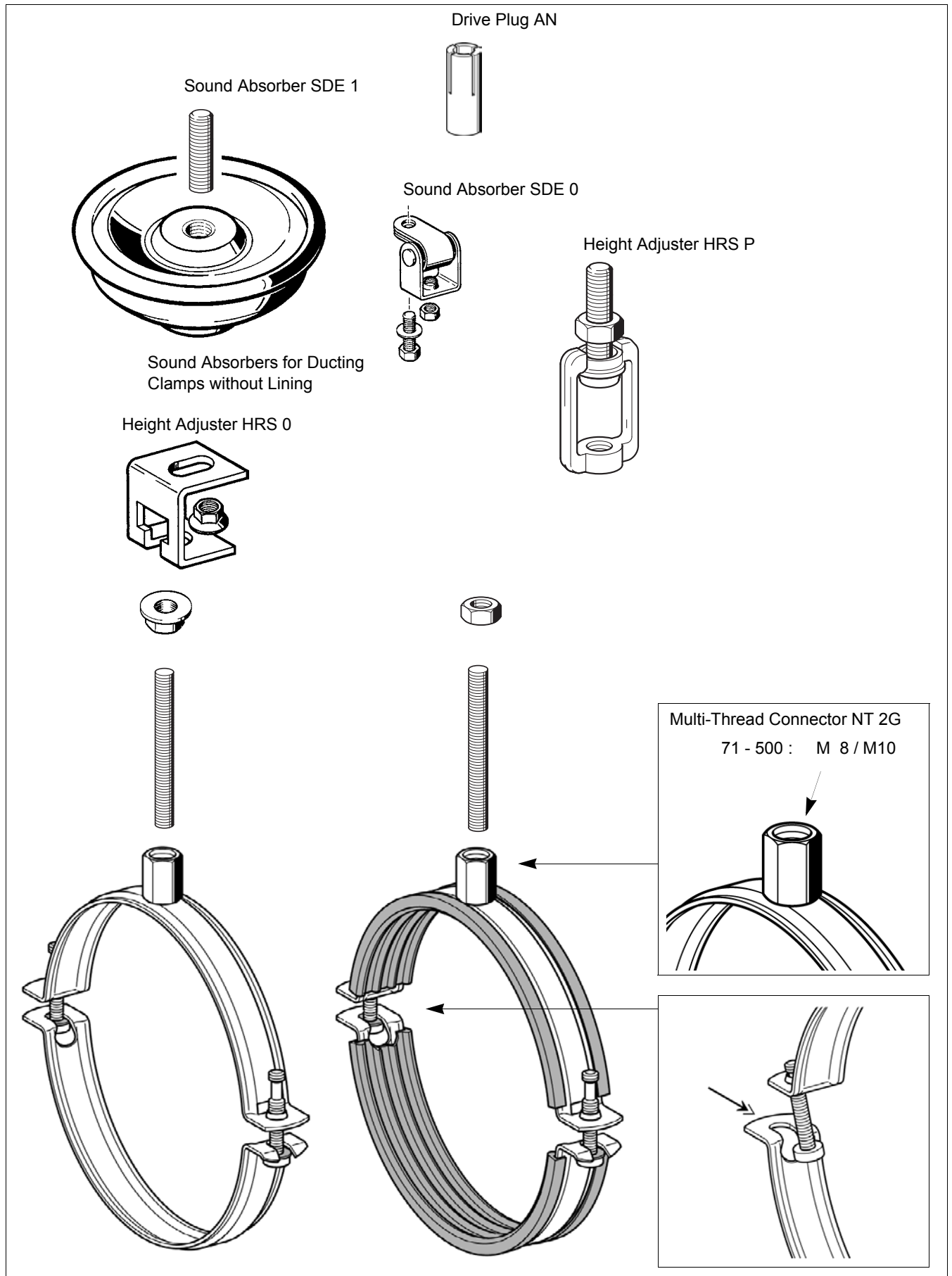
Ducting Angle LUW Stabil



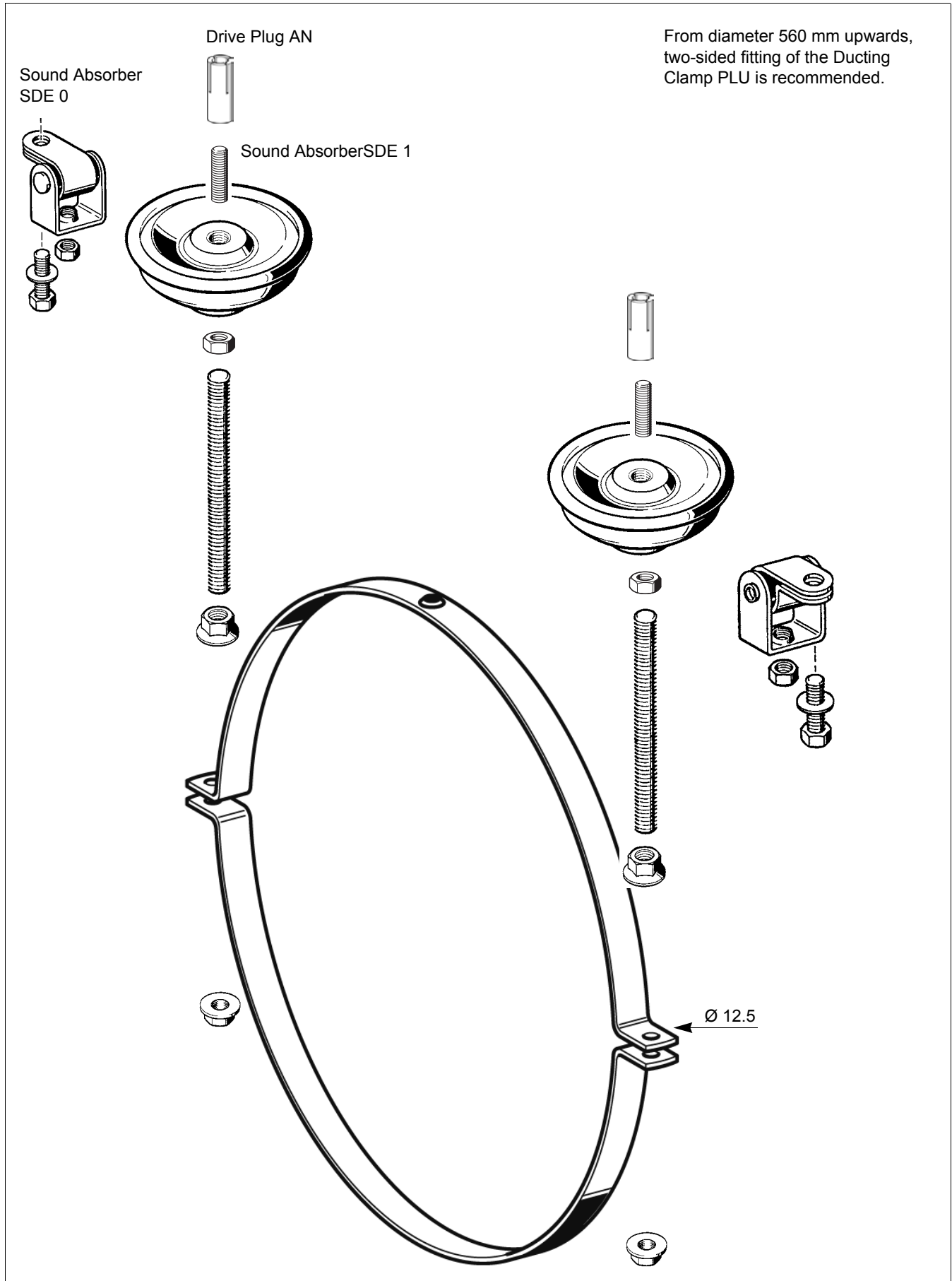
Channel MS 27-1.25



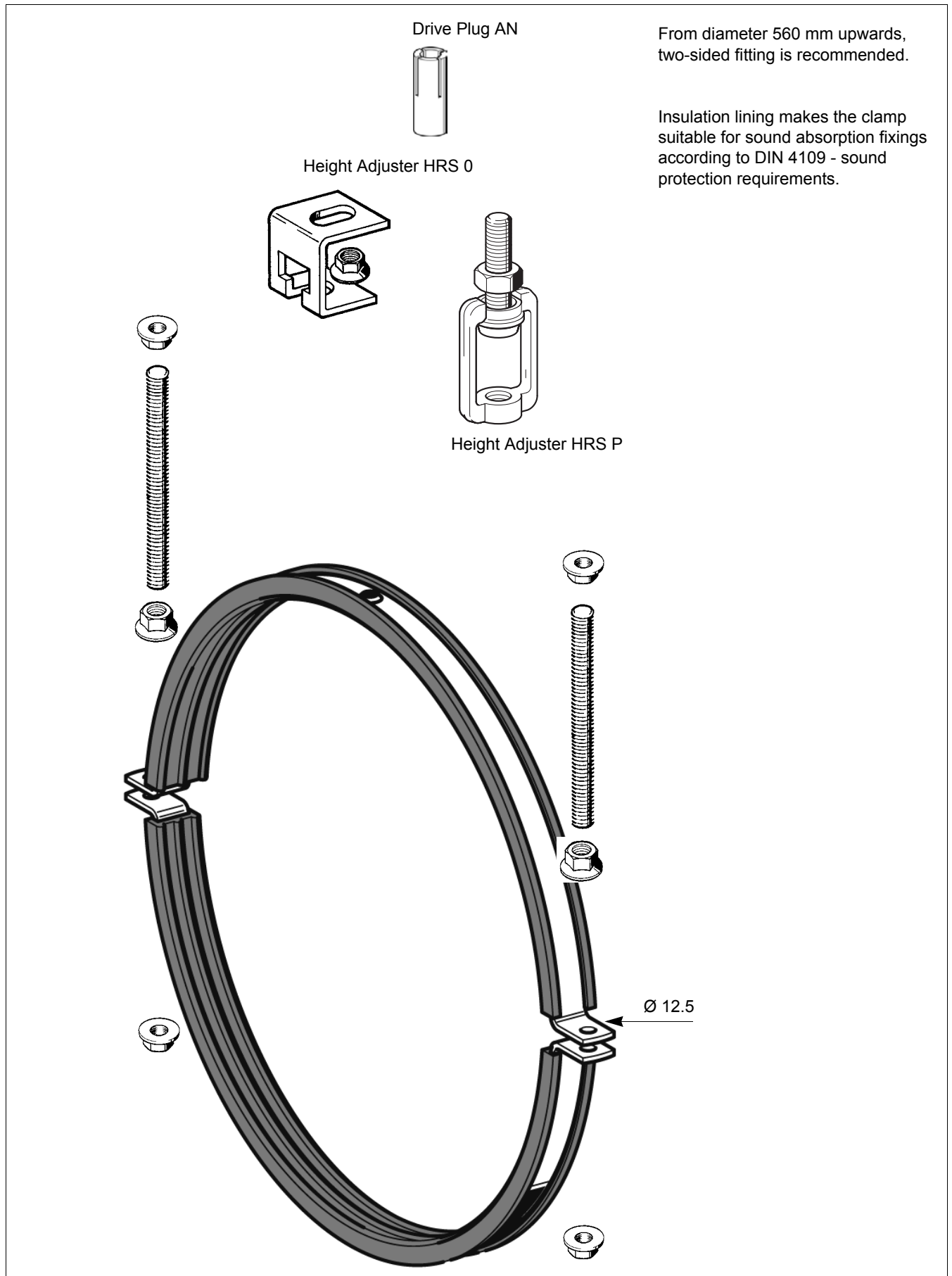
### Single Point Mounting for Ducting Clamps PLU Diameter 71 - 500



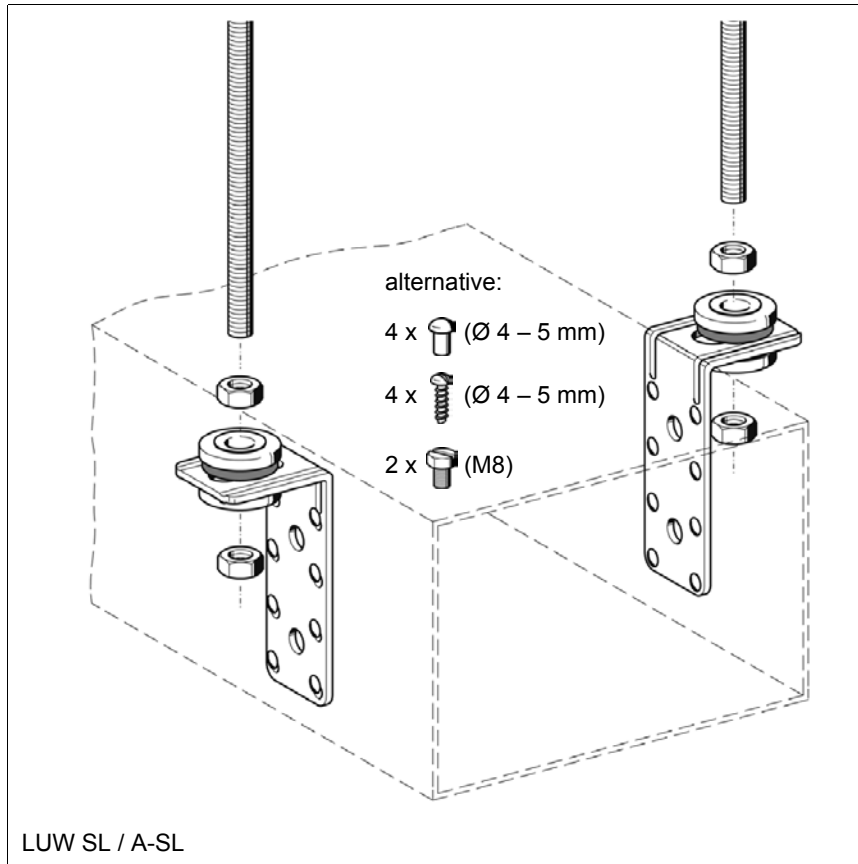
### Two point fitting for Ducting Clamps PLU Diameter 560 - 1250 without lining.



### Two point fitting for Ducting Clamps PLU of Diameter 560 - 1250 with lining



### Ducting Angles LUW for mounting rectangular Ducts



Fixing of the Ducting Angle LUW to the duct by 4 to 8 steel rivets or tapping screws.

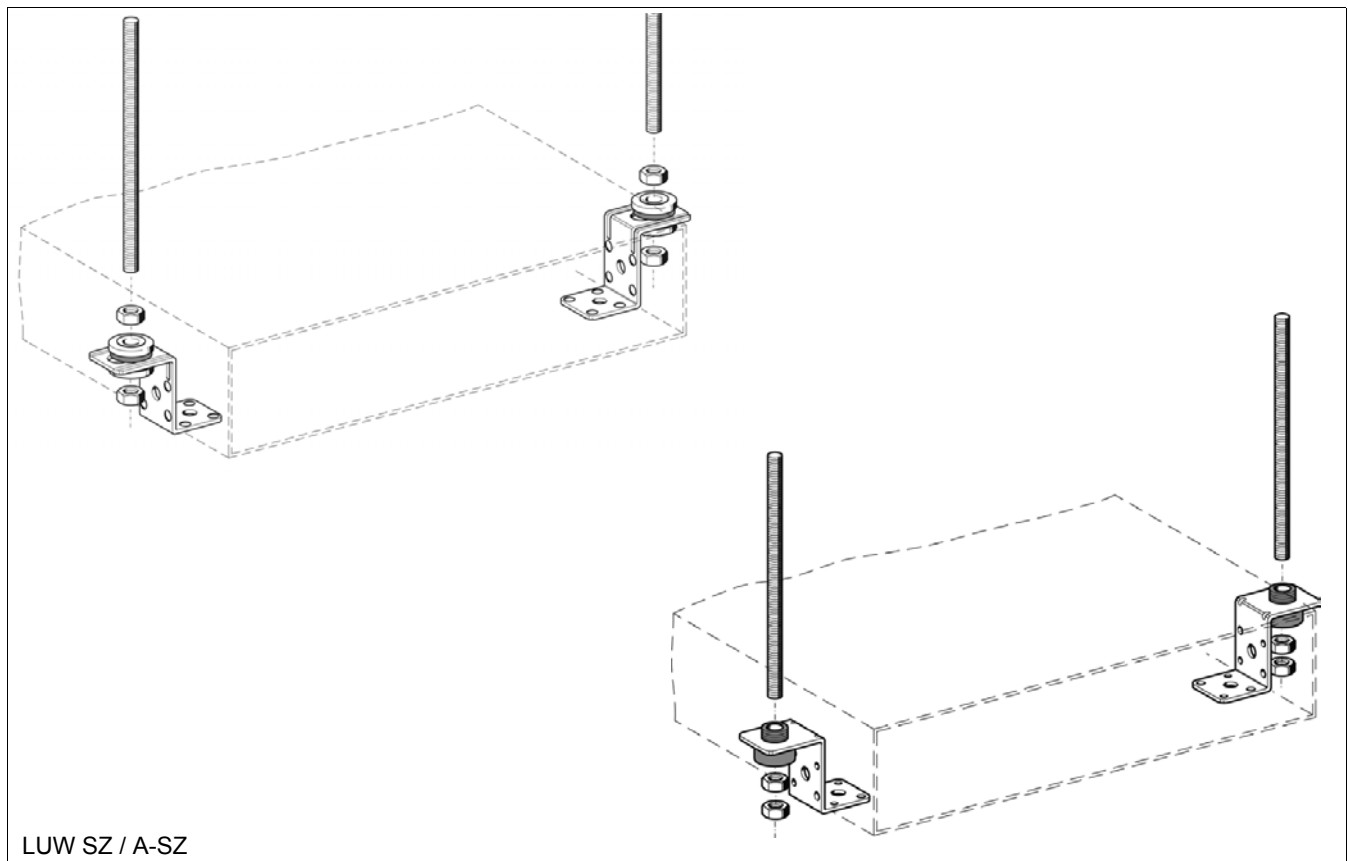
Captive insulation washers are used for sound absorption installations according to DIN 4109 - sound protection requirements.

Ducting Angle LUW SL for soundproof ceiling suspensions of ductwork.

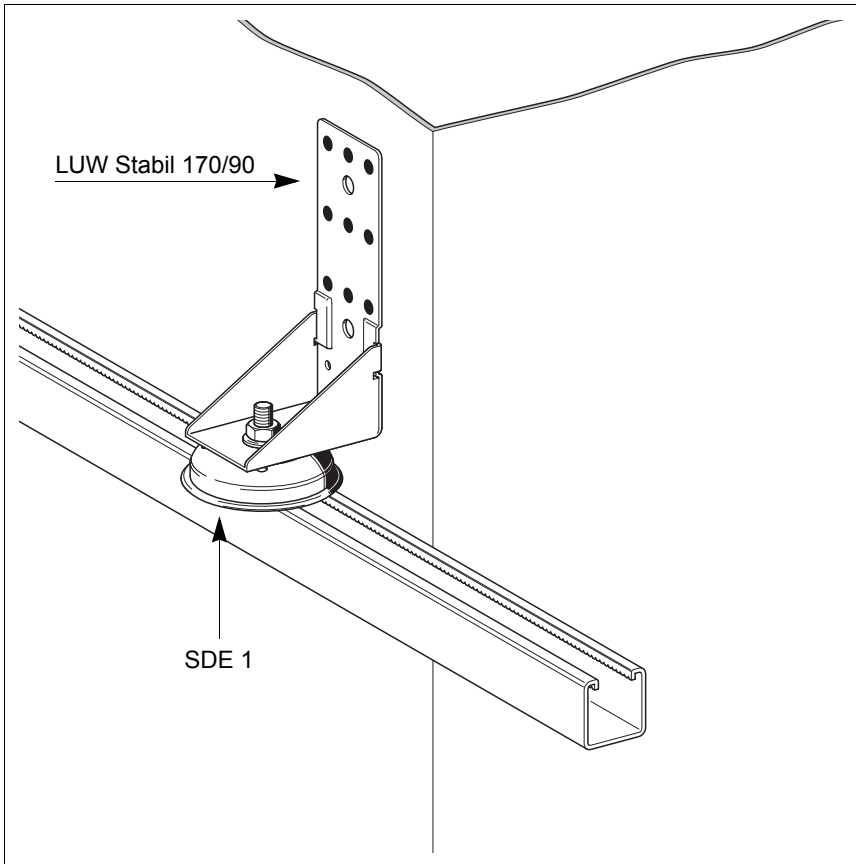
**Note:**

► In case of vibration of the duct, lock nuts must be used.

Ducting Angle LUW SL for soundproof ceiling suspension of wide, flat ducts.



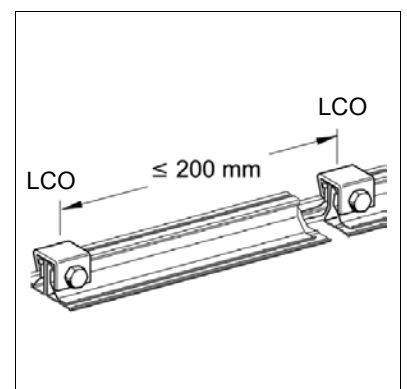
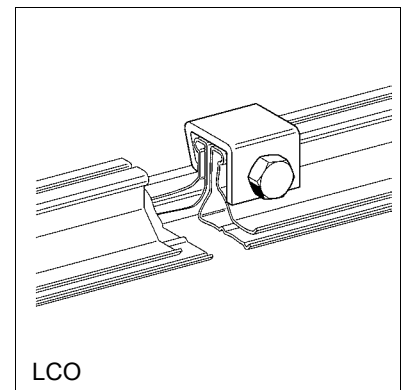
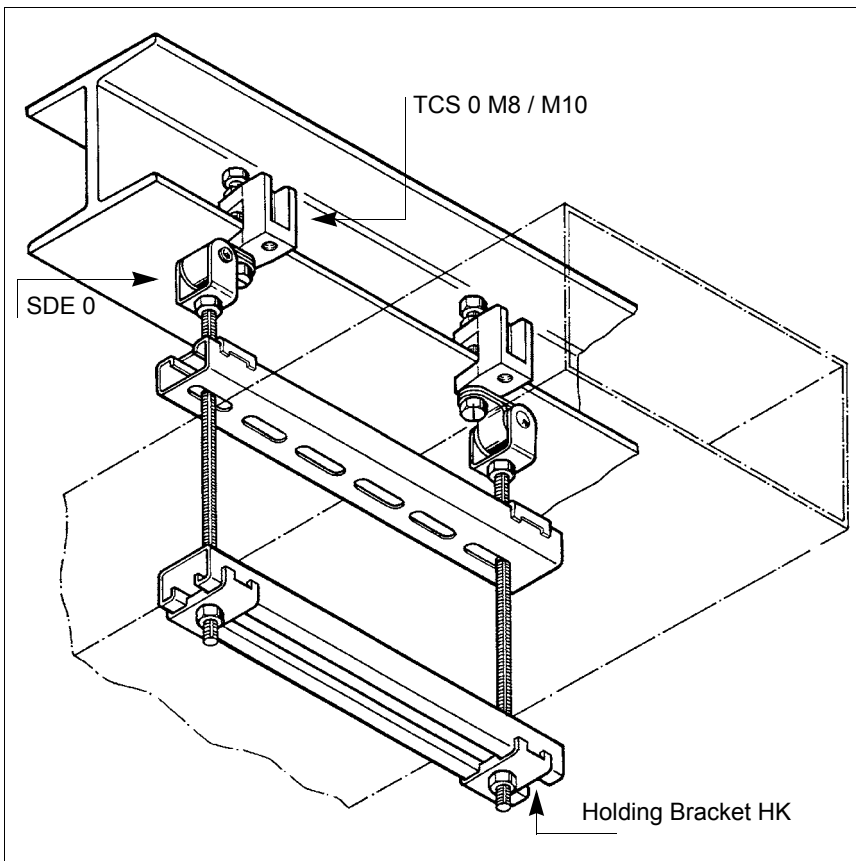
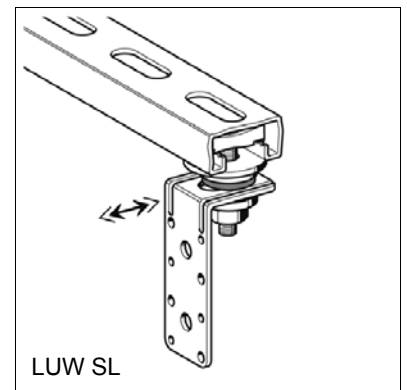
### Fixing examples of rectangular Ducts



Fixing vertical ducts on a suitable support (horizontal channel).

Ducting Angle LUW Stabil fixed onto the sound absorption unit SDE 1 is suitable for sound absorption installations according to DIN 4109 - sound protecting requirements.

Installation tolerances are compensated for by the Ducting Angle LUW SL by means of slot adjustment.



### Ducting Strap LUB for Spiral Seam Ducts

